

TANK POUCH KIT

P/N 2880619



APPLICATION

ALL MY15 INDIAN SCOUT MOTORCYCLES.

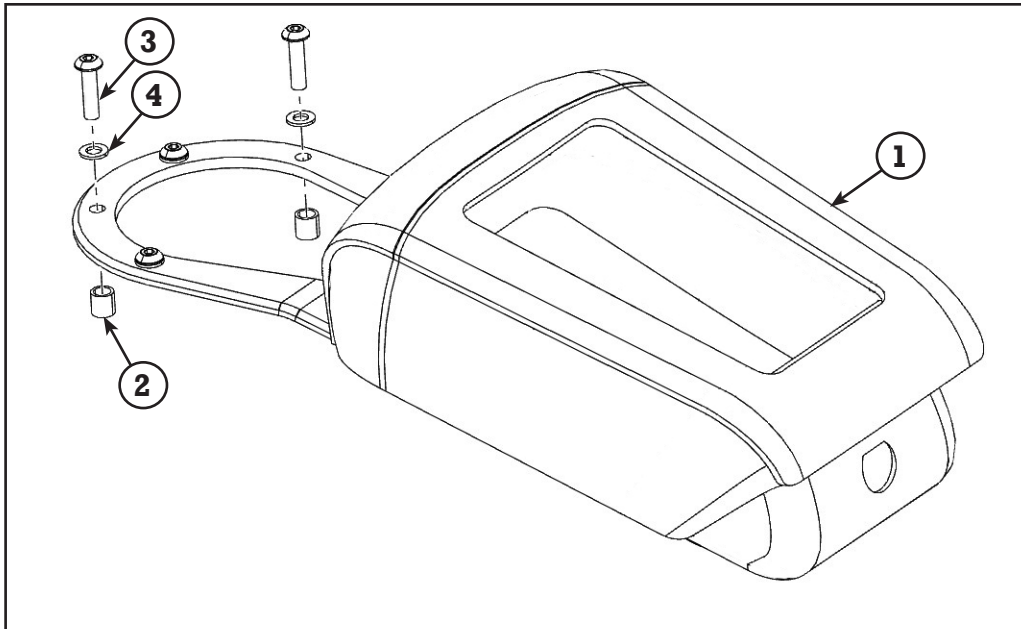
⚠ WARNING

This accessory is only approved for use with the models listed. **NEVER** use this accessory on non-approved models. Use of this accessory on models other than those listed in these instructions may negatively affect the stability of the vehicle, lead to loss of control, and result in serious injury or death.

NOTE: Tank pouch is not designed to be waterproof.

BEFORE YOU BEGIN

Read these instructions and check to be sure all parts and tools are accounted for in package. Please retain these installation instructions for future reference and parts ordering information.



KIT CONTENTS

Ref	Qty	Part Description	Part Number
1	1	Tank Pouch Assembly	2686354
2	2	Tank Pouch Spacer	5338774
3	2	Screw - M5X20	7520221
4	2	Washer	7556897
5	2	Protective Film (Not Shown)	5814001
	1	Instructions	9925518

TOOLS NEEDED

Torque Wrench

4mm Hex Key Socket

Socket Wrench

APPROXIMATE ASSEMBLY TIME

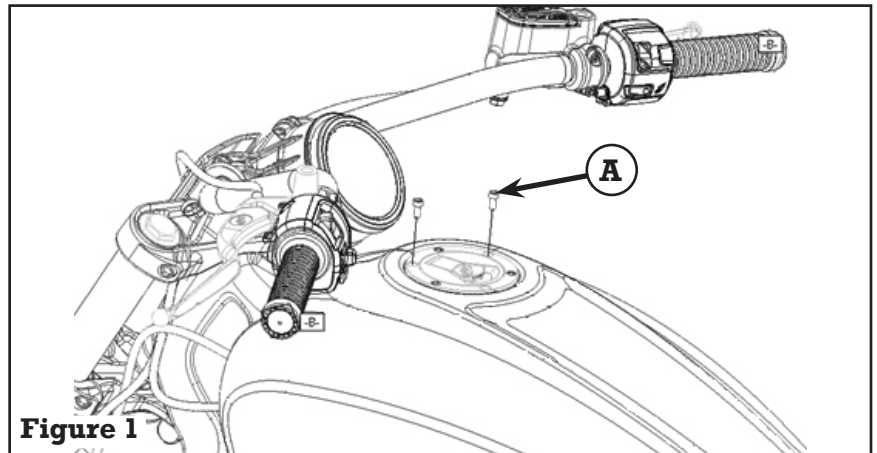
6 mins

IMPORTANT

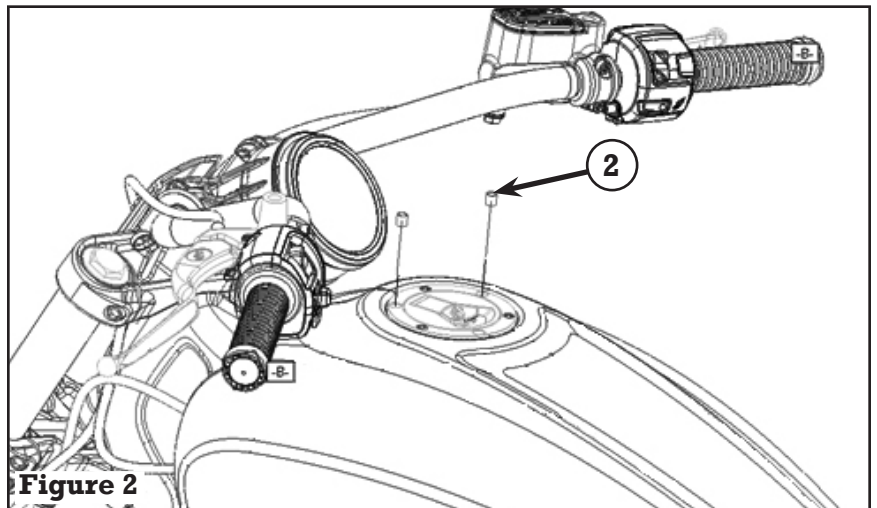
Your Indian TANK POUCH KIT is exclusively designed for your vehicle. Please read the installation instructions thoroughly before beginning. Installation is easier if the vehicle is clean and free of debris. For your safety, and to ensure a satisfactory installation, perform all installation steps correctly in the sequence shown.

INSTALLATION INSTRUCTIONS

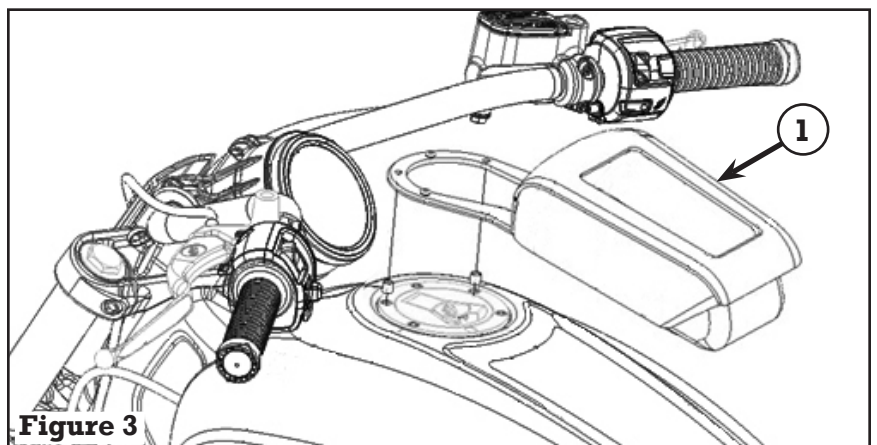
1. Remove the screws (A) in the filler cap bezel at approximately the 11 o'clock and 3 o'clock positions. See Figure 1.



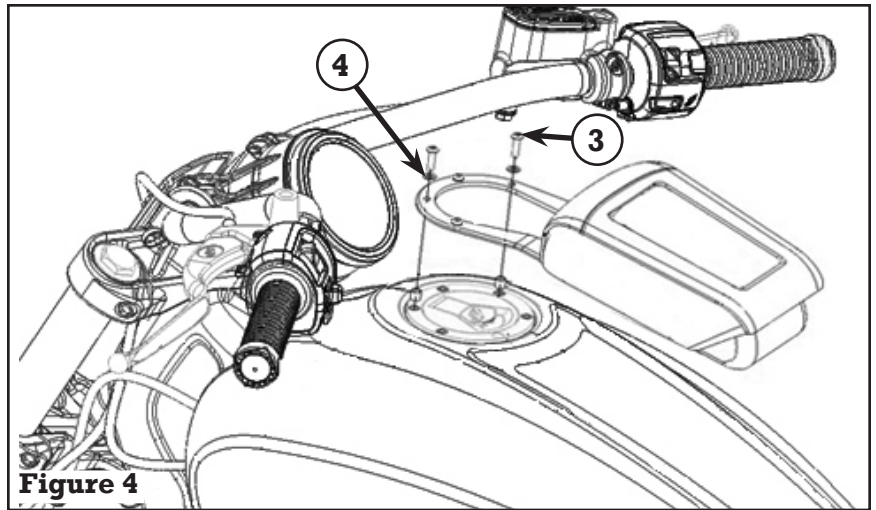
2. Place two spacers (2) in location where screws were removed as shown in Figure 2.



3. Place tank pouch assembly (1) over the filler cap bezel and align unthreaded holes in bracket with spacers. See Figure 3.



4. Install two washers (5) and two M5x20 screws (3) in untapped holes in bracket. Torque to 43 ± 6 in-lbs. (4.85 ± 0.22 Nm). See Figure 4.
5. Check function of fuel cap to verify installation is correct. Adjust if necessary before riding.



Optional:

For additional protection adhere protective film to tank positioned underneath magnets in tank pouch. Lift rear of tank pouch slightly and note location of magnets. Peel backing from protective film and place onto fuel tank.

NOTE (if equipped): Leather will lose oils and condition with time and exposure to weather. Leather Dressing will add back many of the oils that are lost from exposure to the weather. Apply dressing with a clean dry cloth. Use generously and allow to soak in. Allow to dry overnight. Wipe off excess. Under normal conditions, annual application is sufficient.